

GLOBAL ASSISTANCE NEPAL PVT. LTD

WE ARE AT YOUR SERVICE. ANYTIME. ANYWHERE.



We are at your service.
Anytime. Anywhere.

NAME OF COMPANY	Global Assistance Nepal (P) Ltd.
COMPANY PROFILE	One of Nepal's leading Assistance Company
APPLICATION	<p>Assistance service provider in all sectors</p> <p>Global Assistance Nepal began by participating in the assistance market with assistance services especially Repatriation. The continuous success in provision of assistance services has opened new doors to Global Assistance Nepal within the assistance services market. We provide different assistance services throughout Nepal, using out motivated team.</p>
COMPANY BACKGROUND	<p>Registered with Government of Nepal Department of Commerce & Industry, Office of Company Registrar.</p> <p>Global Assistance Nepal was established in 2001A.D. by a team of professionals of various fields with the motive of Providing people with various assistance services such as Rescue operations, Private ambulance, Repatriation services etc.</p>

Vision. To continue as the market leader in the provision of medical and technical assistance in Nepal and the neighboring states and rest of the world, assistance service to international insurance companies.

VISION	To continue as the market leader in the provision of medical and technical assistance in Nepal and the neighboring states and rest of the world, assistance service to international insurance companies.
MISSION	Global Assistance's mission is to provide qualitative, efficient services anytime, anywhere.
PROMISE	Global Assistance Nepal promises to assist you 24 hours.
LEADERSHIP	Global Assistance pioneers in the field of medical and technical assistance through its expertise and professionalism.
INNOVATIVE	Global Assistance is constantly adapting to an ever changing world, and consistently remains ahead of times.



PARTNER WITH US

Productivity improvements 10 to 15 percent

Quality customer services

Increased effectiveness and reduced cost

Claim processing

OUR ACHIEVEMENT

Repatriation all over the world

Funeral Specialist

Third Party Administrator

MEMBERSHIP

Nepal Chamber of Commerce

European Economy of Trade, Commerce & Industry Management (EEC) – Nepal

Nepal – German Chamber of Commerce & Industry.

MEMBERS

Mr. Pushpa Das Shrestha – Repatriation Specialist

Mr. Shailendra K. Shrestha – Claim Specialist

Mrs. Urmila Shrestha – Bio Specialist

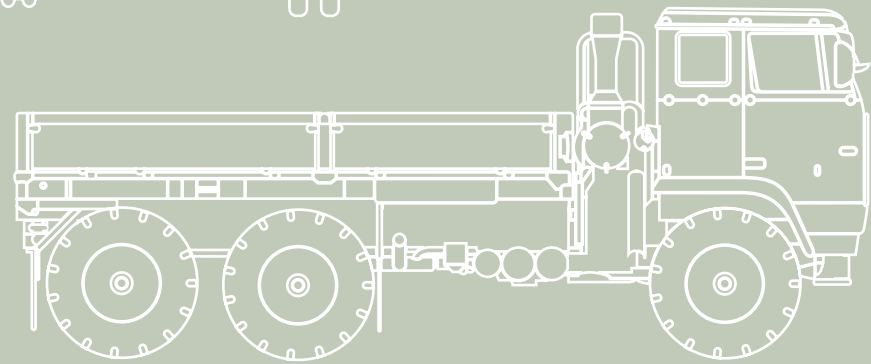
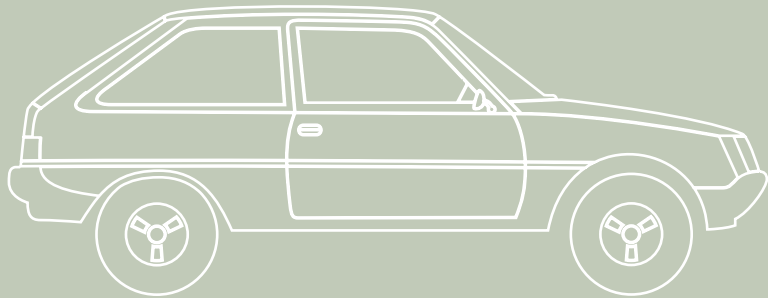
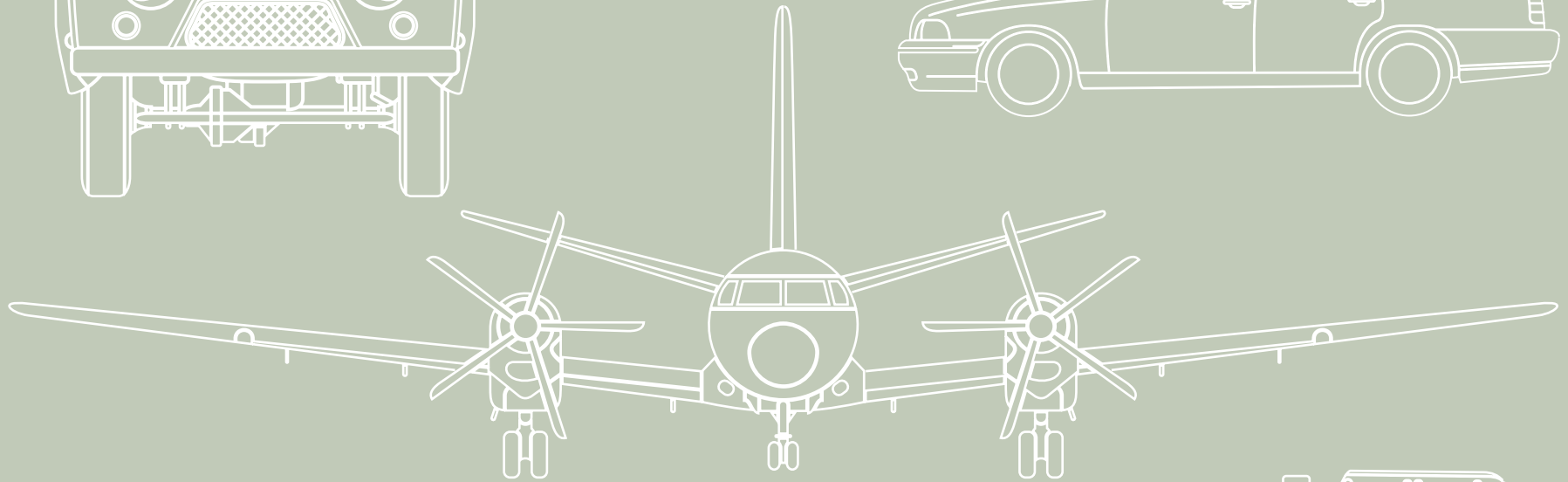
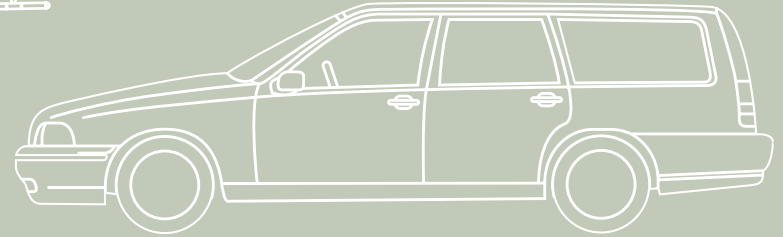
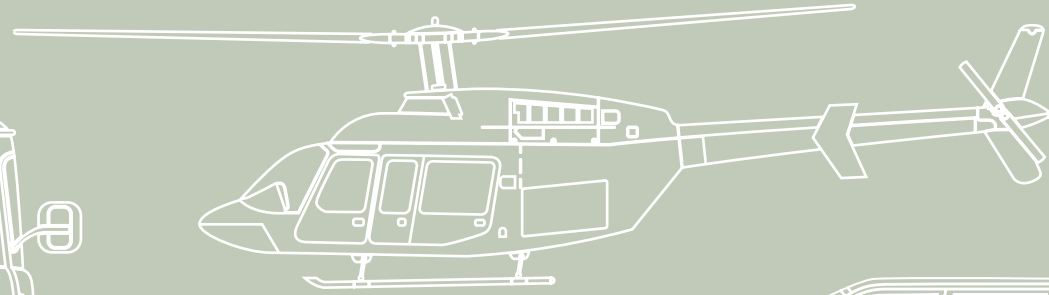
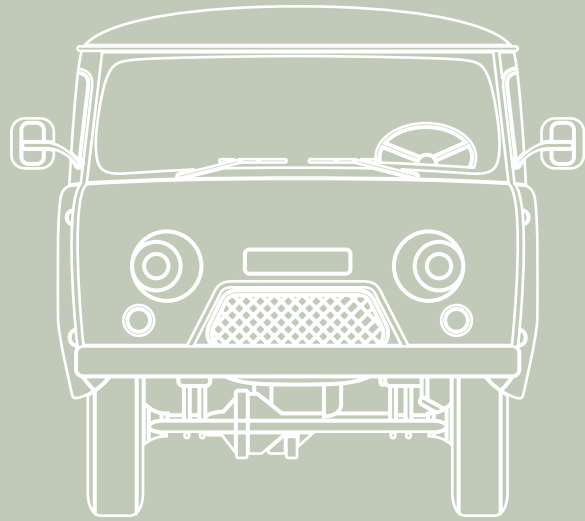
Mr. Pratik Shrestha – Health Care Administrator

Mr. Raj Krishna Kansakar – General administration

Dr. Ujma Shrestha – Anesthesian

Dr. Kajan Raj Shrestha – General Surgeon

Dr. Prabin Bahadur Pradhan – MD.MS Ortho



OUR SERVICES

Repatriation

Insurance claim services

Rescue operation

Valuation Services

Air Assistance

Vehicle Services

Private Ambulance

Transport Assistance

Hospital Assistance

Fire Fighting Services

Funeral Services

Hotel Assistance

Travel Medical Insurance

Representative

HOTEL ASSISTANCE

With the assistance of our network, we can arrange hotel accommodations throughout Nepal. The Global Assistance organization team arranges a hotel according to the advice and request of our partners.

FUNERAL

This service provides the repatriation of the body of the deceased. Service starts from the place of death to the homeland. Funeral service is handled according to the appropriate religion and culture of the client. All the belongings of the deceased is sent along with the deceased body.

GOVERNMENT PERMISSION AND INFORMATION

Global Assistance Nepal contacts government offices to arrange and prepare the necessary documents, such as visas, special permits, registrations, and death certificates, police reports required for Repatriation and Revacuation.

AIR & ROAD AMBULANCE

Global Assistance Nepal has outstanding experience in the area of repatriation/evacuation by air ambulance. We are able to organize air lift services, both from within Nepal and Transport to their home country promptly.

Due to the High hiring rate of air lift services in Nepal The road ambulance service is generally used for most case of transport installed specific medical equipment.

FLIGHT BOOKING

Flights can be booked for either patients or regular passengers. A detailed information exchange with the airline ticketing personnel is necessary concerning the medical condition of the patient in stretcher-flight cases.

TRANSPORTATION

Upon receiving the request from our clients, this service can be provided. According to specifications in the request letter, Global Assistance team will make arrangements for the most suitable transportation for insured, or medical escort.



Global Assistance Nepal Pvt. Limited
P. O. Box: 10901, Pratik Bhawan, 4th Floor
Sitapaila Ring Road, Kathmandu, Nepal

Tel: +977 01 4272264, 4273740, 4283778
Cell: +977 9851020192, 9741192952
Fax: +977 01 4272164

globasst@mos.com.np
globasst@wlink.com.np
www.globasst.com.np